

Nero®

INSTRUCTION MANUAL



Rola 1.7 Litre Black Kettle

Product Number 740181

Read this booklet thoroughly before using and save it for future reference.

IMPORTANT SAFEGUARDS:

Read all instructions before using.

Before connecting the kettle to the power supply, check that the voltage indicated on the appliance (underside of the kettle and base) corresponds with the voltage in your premises.

If this is not the case, contact your dealer and do not use the kettle.

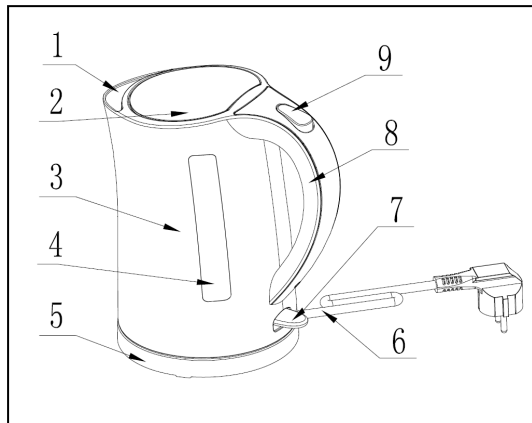
Images in this manual are for illustrative purposes only.
Due to constant improvements we advise that changes to the design,
material, specifications and product configuration may
occur at any time without notice.

1. Technical Data

Model	Voltage	Input power	Volume
740181	220V-240V AC	1850W-2200W	L max=1.7L

2. Components

- 1) Kettle mouth (with filter)
- 2) Cover
- 3) Body
- 4) Water window
- 5) Stand
- 6) Power cord
- 7) Switch
- 8) Handle
- 9) Opening button



OPERATING GUIDELINES

Before using your kettle:

Fill kettle with water to the maximum level, boil and discard water. Repeat three 3 times.

Using your kettle:

1. Place base (5) on a firm and level surface.
2. Pour the desired amount of clean water into the kettle and ensure that the lid is closed. Do not touch any part of the kettle except the handle when the appliance is in use. The amount of water can be measured by the level mark on the outside of the kettle, always pay attention to the minimum and maximum levels.
3. Place the kettle on the base and connect the plug into a power outlet. Turn power on. Press the on/off switch to its 'ON' position. The indicator lamp will light up indicating that the boiling process has begun.
4. Once the kettle is boiled the on/off switch will return automatically to the OFF position and the indicator lamp will go out. The water kettle can also be switched off manually by flicking the on/off switch to the OFF position.
5. Lift the kettle from the base and pour the water through the spout.

NOTE: This kettle is equipped with a safety cut –out to protect the appliance from damage. Should the appliance be accidentally operated without water or if all the water has evaporated the safety cut out will automatically switch off the heating element. In such a case remove the plug from the wall

GENERAL SAFETY GUIDELINES

- Read the operating instructions carefully before putting the appliance into operation and keep the instructions including the warranty, the receipt and, if possible, the box with the internal packing.
- The appliance is designed exclusively for private use and for the envisaged purpose. This appliance is not fit for commercial use. Do not use it outdoors (except if it is designed to be used outdoors). Keep it away from sources of heat, direct sunlight, humidity (never dip it into any liquid) and sharp edges. Do not use the appliance with wet hands. If the appliance is humid or wet, unplug it immediately. Do not put it in water.
- When cleaning or putting it away, switch off the appliance and always pull out the plug from the socket (pull on the plug, not the cable) if the appliance is not being used and remove the attached accessories.
- This appliance is not intended for use by persons (including children) with reduced physical sensory or mental capabilities, or lack of experience and knowledge, unless they have been given supervision or instruction concerning use of the appliance by a person responsible for their safety. Children should be supervised to ensure that they do not play with the appliance.
- This appliance is intended to be used in household and similar applications such as:
 - staff kitchen areas in shops, offices and other working environments;
 - farm houses;
 - by clients in hotels, motels and other residential type environments;
 - bed and breakfast type environments.
- Check the appliance and the cable for damage on a regular basis. Do not use the appliance if it is damaged.
- Do not try to repair the appliance on your own. Always contact an authorized technician. To avoid the exposure to danger, always have a faulty cable be replaced only by the manufacturer, by our customer service or by a qualified person and with a cable of the same type.
- Use only original spare parts.
- Pay careful attention to the following "Special Safety Instructions"
-

SPECIAL SAFETY INSTRUCTIONS

- Use only cold water when filling.
- The water level must be between the MAX. and MIN. marks!
- Switch the machine off before removing it from the base.
- Always ensure that the lid is tightly closed.
- The base and exterior of the machine must not become wet.
- Electrical usage: AC 220-240V – 50Hz
- **Disposal**
- Do not dispose of old or defective appliances in domestic garbage; this should only be done through public collection points.
- **NOTE:**
- 1. The kettle is only to be used with the stand provided.
- 2. This appliance is intended to be used in household and similar applications such as:
 - staff kitchen areas in shops, offices and other working environments; by clients in hotels, motels and other residential type environments.



CLEANING

- 1) The plug must be pulled out of the socket and allow the kettle to cool down before cleaning.
- 2) First wipe the exterior of the kettle and its stand with a wet cloth, and then dry them with a dry cloth. Always keep the base clean and dry. Be sure not to use coarse cleaning objects or else the case body will be damaged out of rubbing.
- 3) Clean the inside of the kettle with a cloth dipped into a cleanser and wash it clean with water.
- 4) Take out the filler and wash it clean water
- 5) Water in some areas contains chalk so the water in the kettle may look a bit turbid. Once the water boils it will turn into sediment or float on the surface of the water. This is no harm and can be cleaned at regular intervals

Backed by Nero's 12 month replacement guarantee.

Nero is a registered trademark of

R. Weatherdon & Co Pty Ltd

Made in China

Email: sales@weatherdon.com.au

Ph: +61 2 9906 2202

Visit: www.weatherdon.com.au

This item is subject to change due to model updates from time to time.